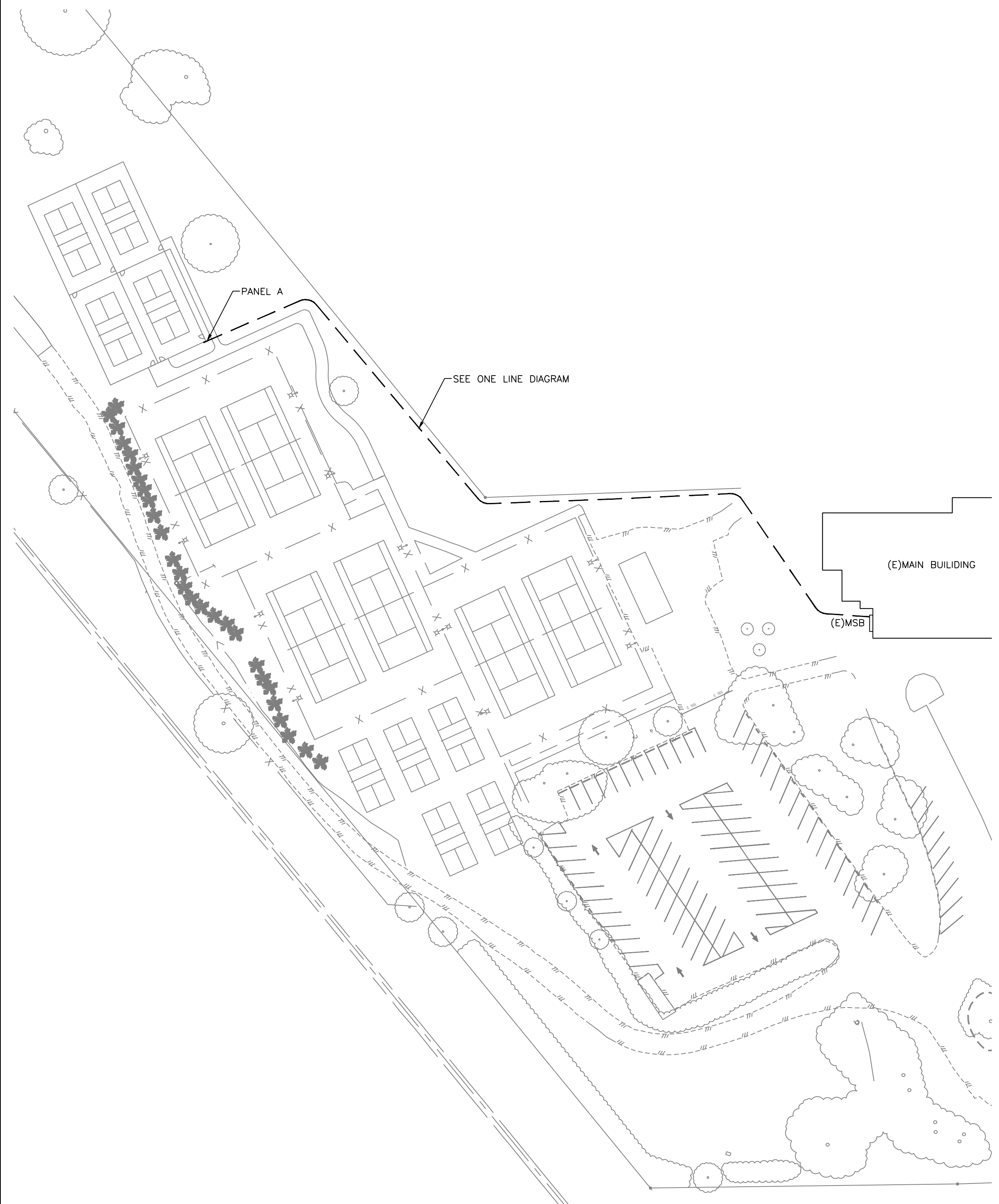


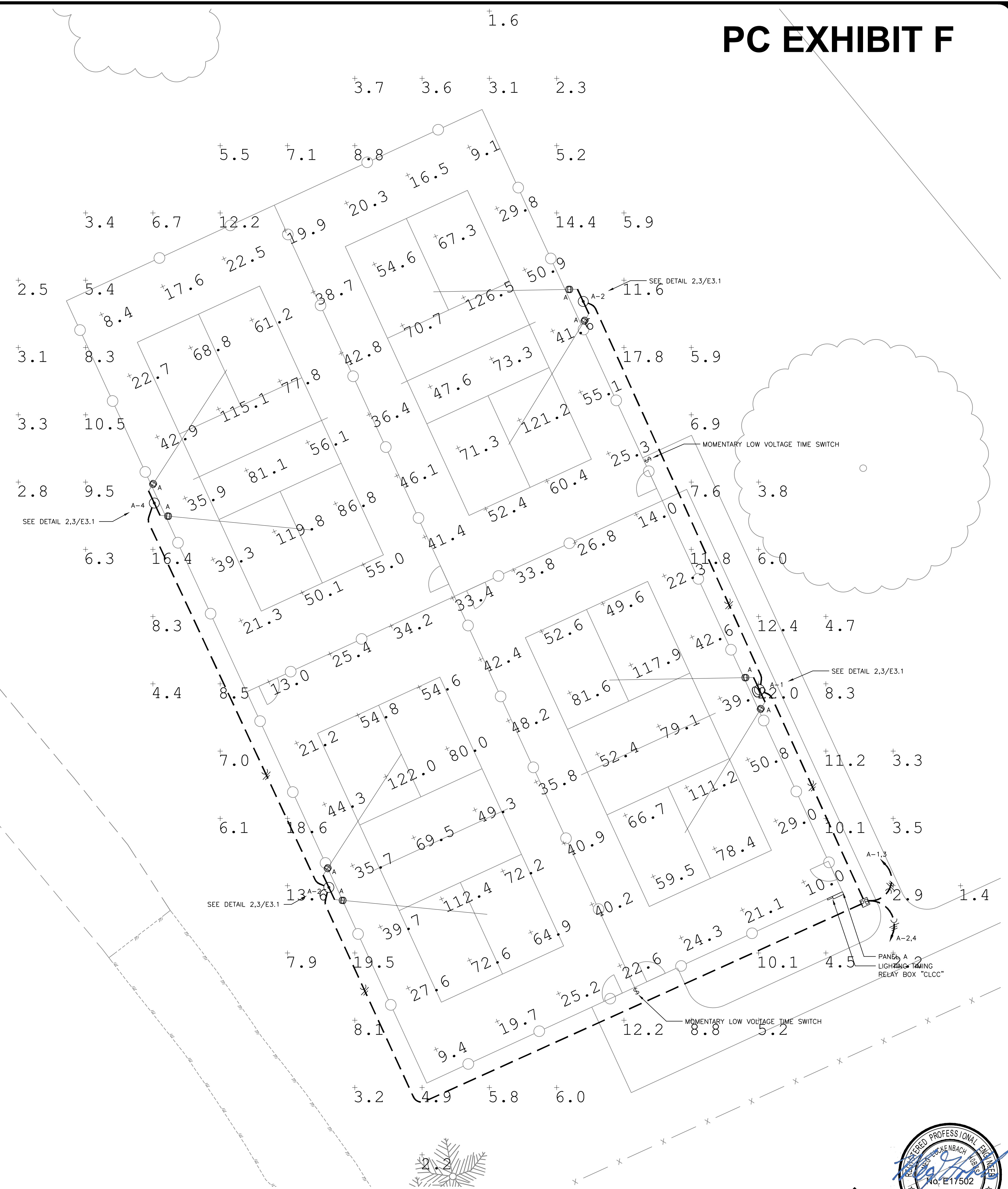
# PC EXHIBIT F



**ELECTRICAL OVERALL SITE PLAN**  
SCALE: 1"=50'

Symbol	Qty	Label	Arrangement	LLF	Luminaire Watts
○	8	StadiumPro IV 500W 30D	Single	0.930	493.6

Label	CalcType	Units	Avg	Max	Min	Avg/Min	Max/Min
CalcPts_1	illuminance	Fc	50.28	126.5	8.4	5.99	15.06
CalcPts_2	illuminance	Fc	7.36	22.0	1.4	5.26	15.71



**ELECTRICAL SITE PLAN**  
SCALE: 1/8" = 1'-0"



APPROVED	
BY	
DATE	
REVISION	
NO	
CHECK	TEE
BY	TEE
DESIGN	TEE
DRAWN	TEE
QUANT.	TEE
0	1
1	1
2	2

ORIGINAL SCALE IN INCHES

**LODESTAR**

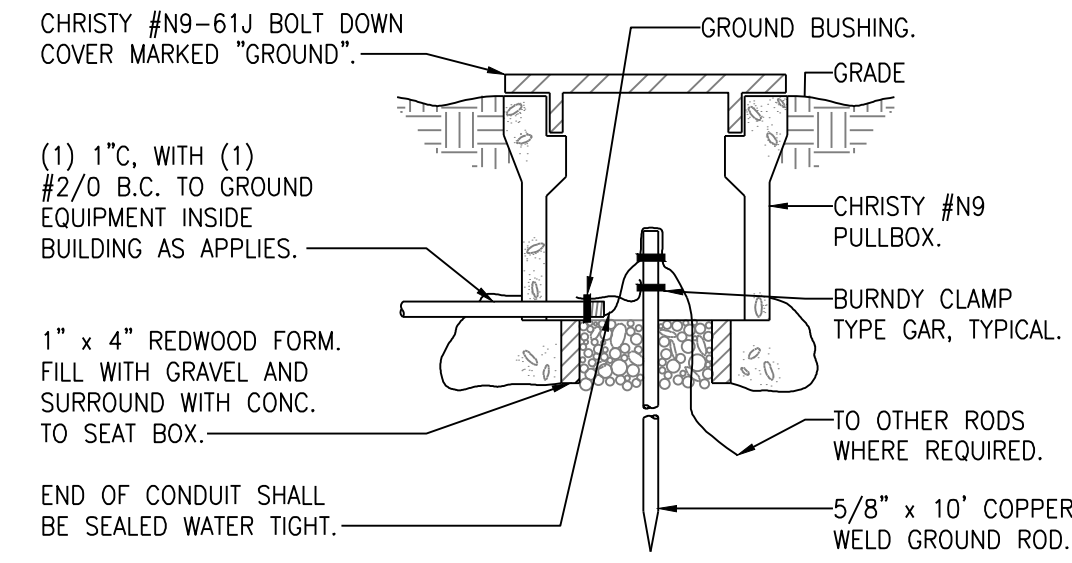
SIERRA VIEW COUNTRY CLUB  
PICKLEBALL COURTS  
ELECTRICAL SITE PLAN

SIERRA VIEW COUNTRY CLUB  
COUNTRY CLUB  
105 ALTA VISTA AVENUE  
ROSEVILLE, CA 95678  
PH: (916) 783-3731

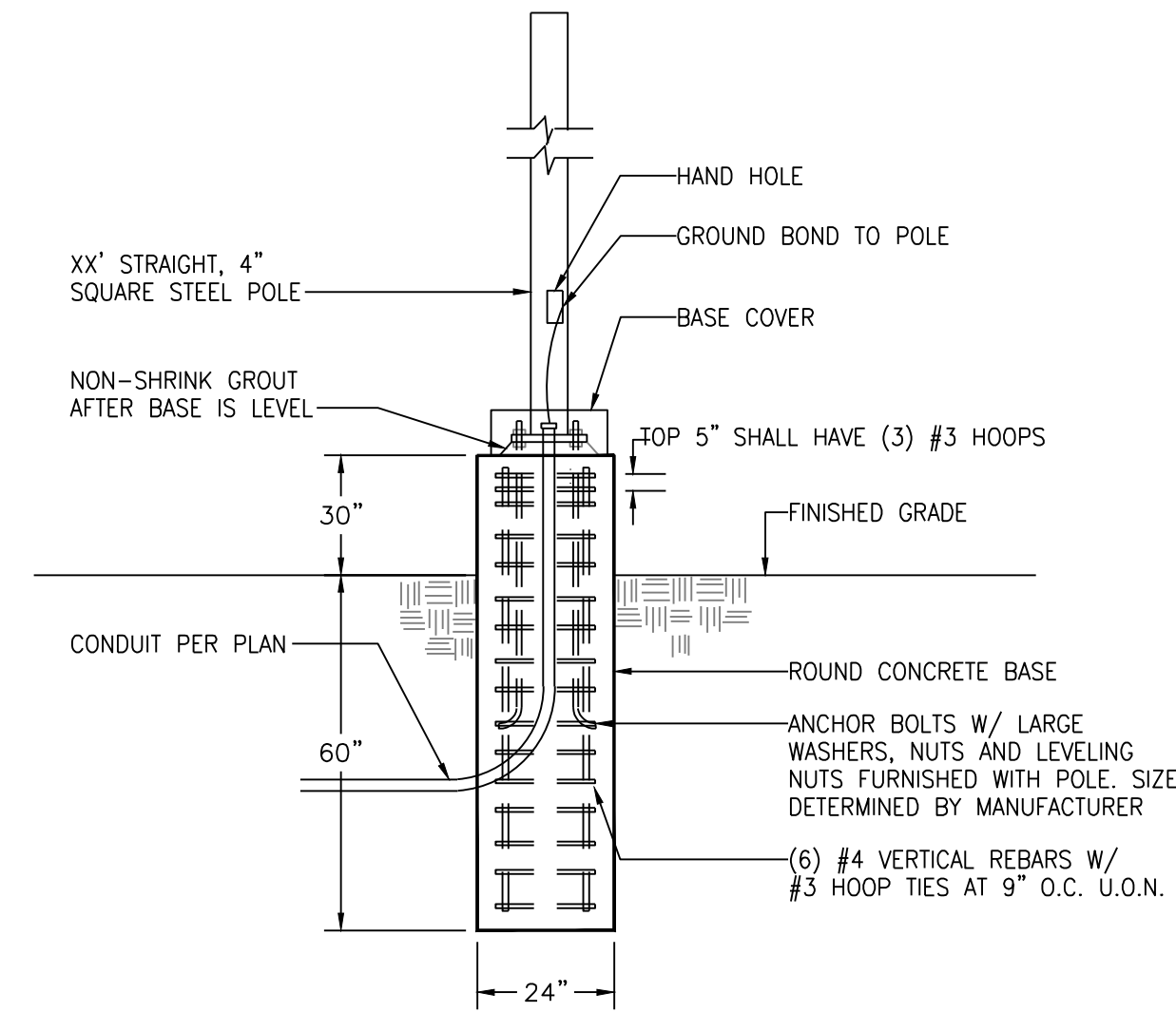
Sheet  
**E2.1**  
1 of 1  
2/10/2025

PROJECT #24-006 - SIERRA VIEW COUNTRY CLUB

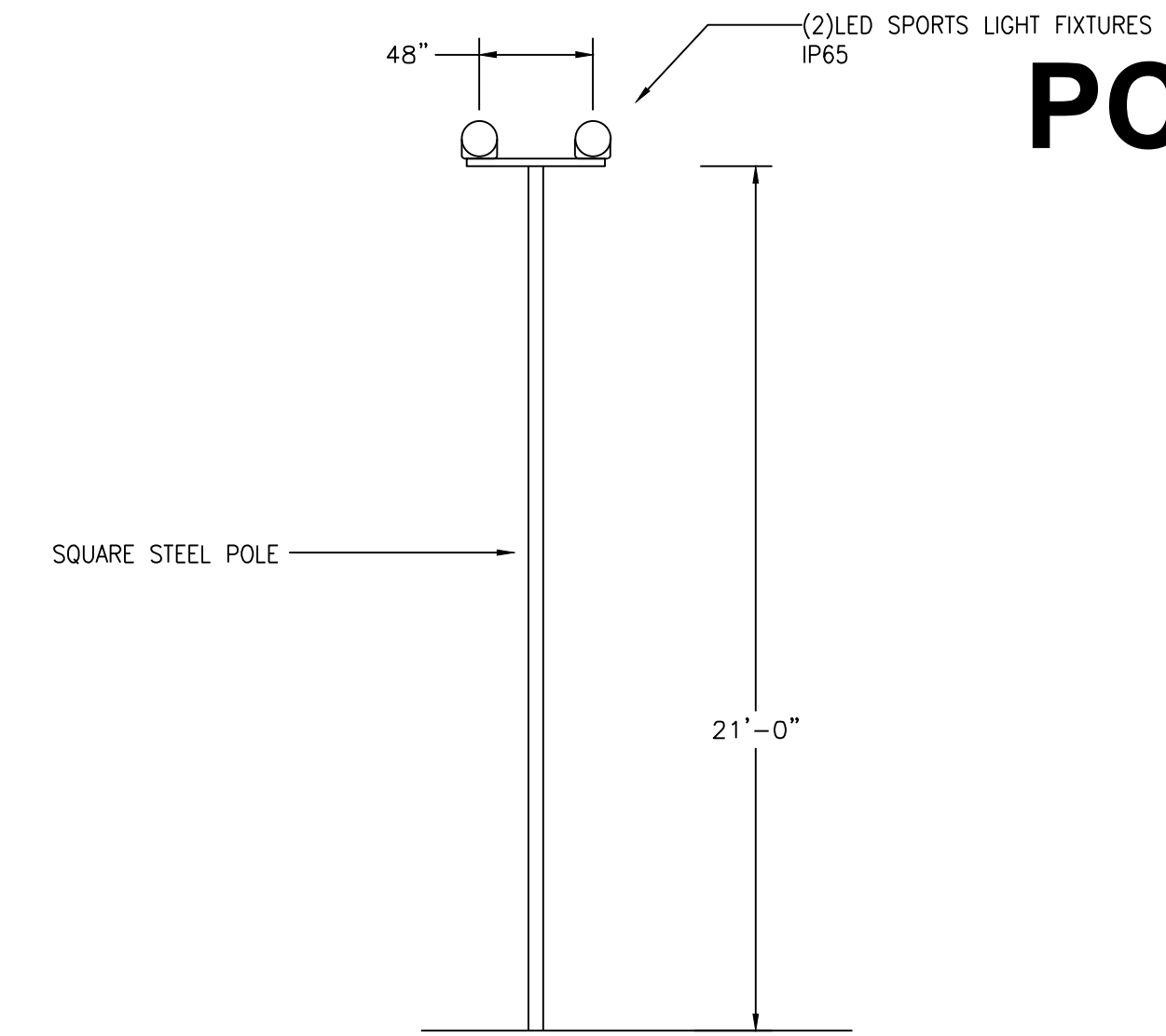
# PC EXHIBIT F



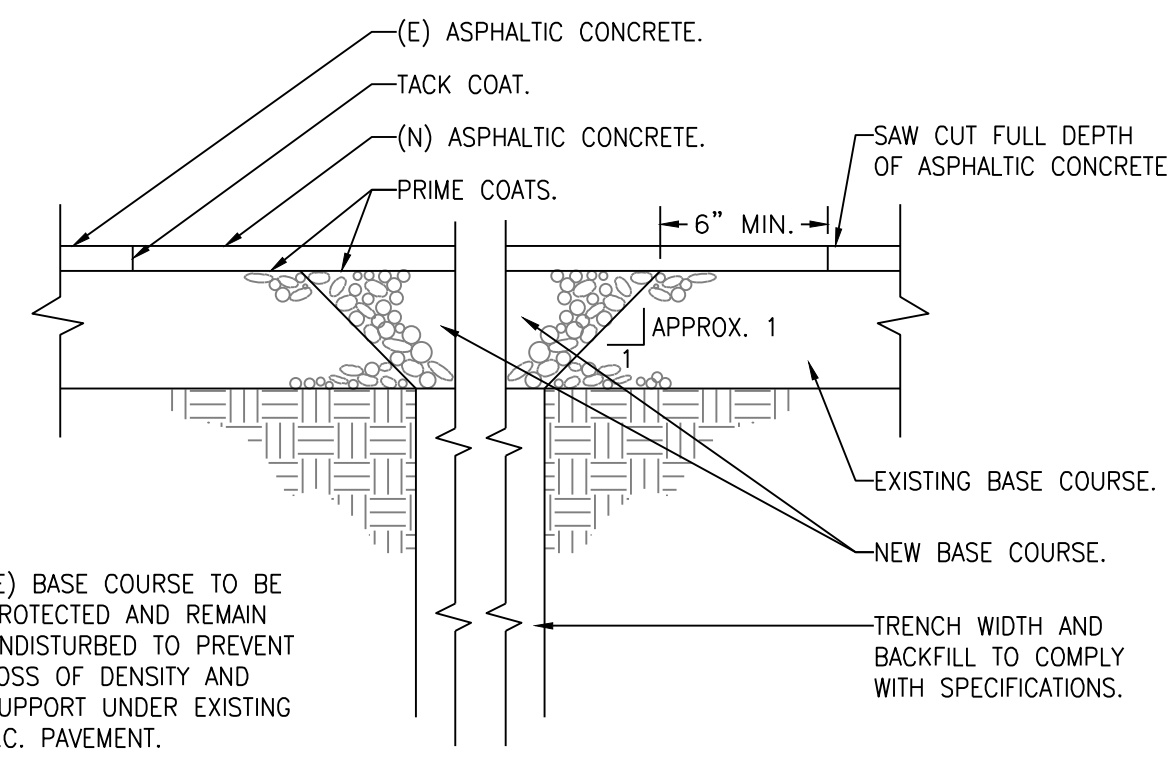
**GROUND BOX**  
SCALE: NTS



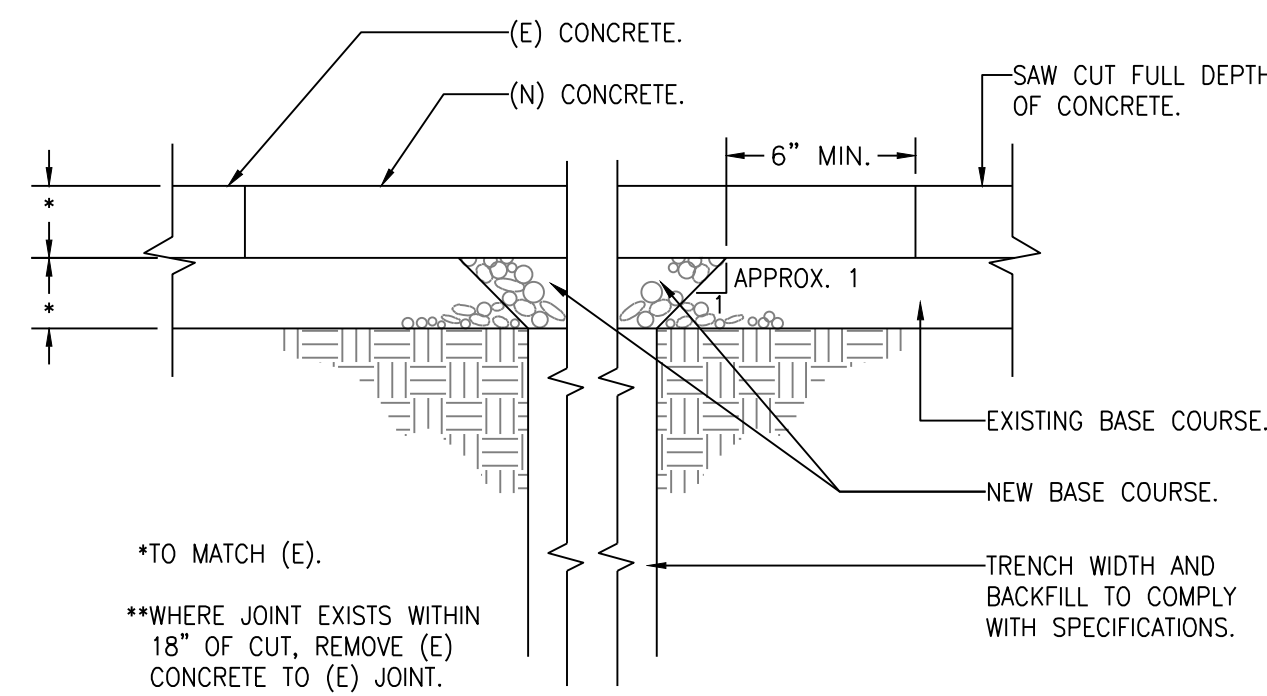
**POLE BASE DETAIL**  
SCALE: NTS



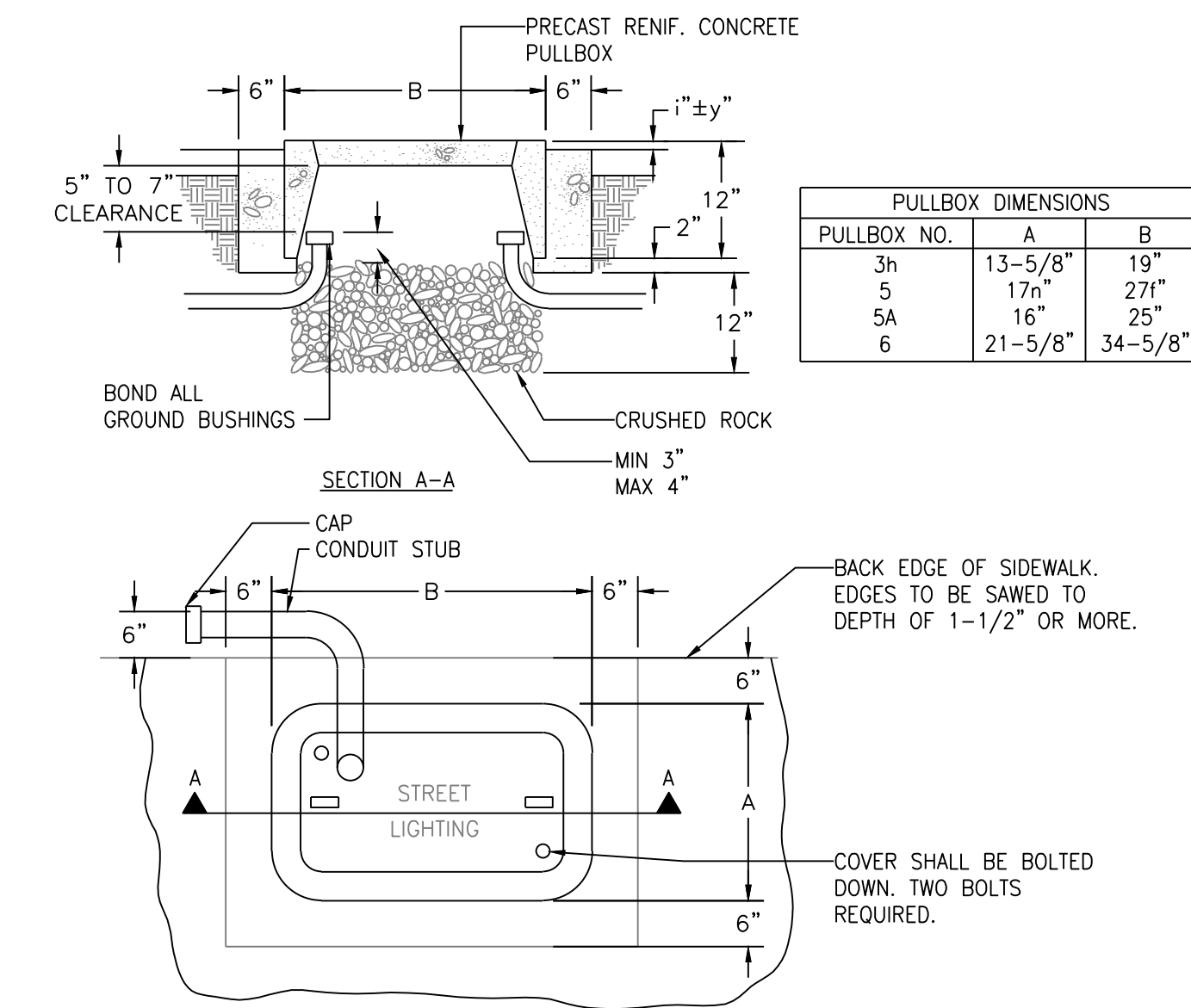
**SPORTS LIGHT DETAIL**  
SCALE: NTS



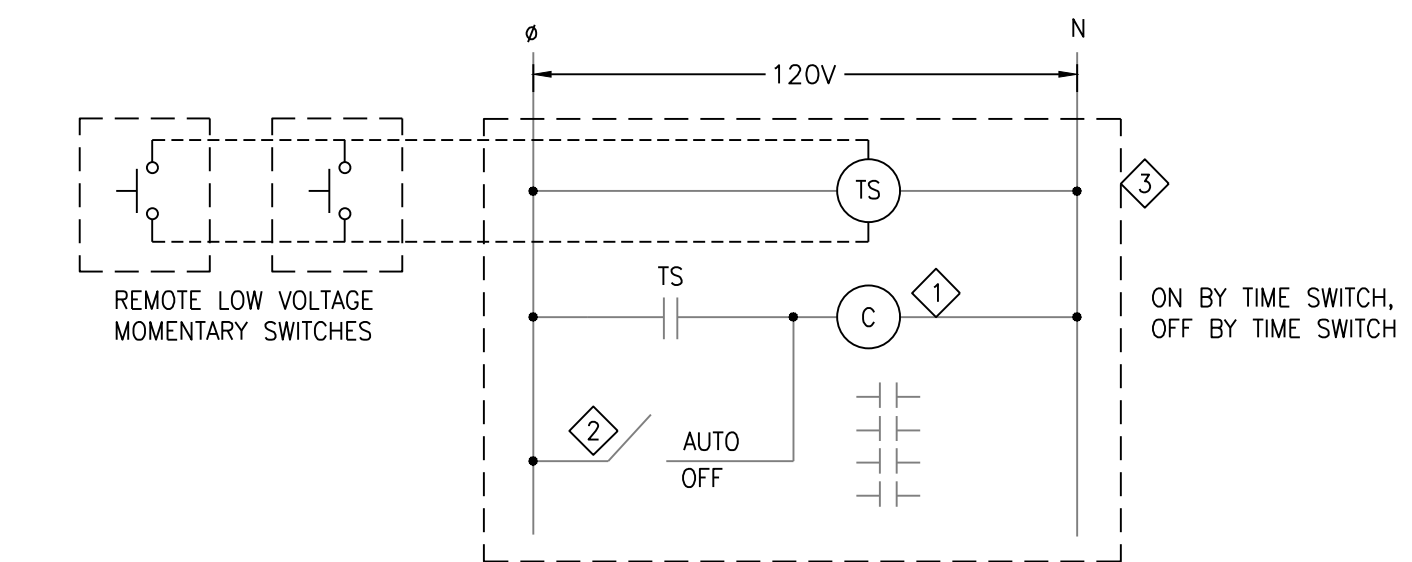
**ASPHALTIC CONCRETE REPAIR**  
SCALE: NTS



**CONCRETE REPAIR**  
SCALE: NTS



**PRECAST CONC. PULLBOX**  
SCALE: NTS

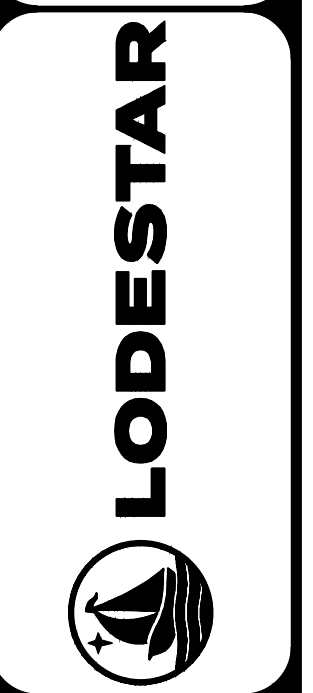


- ① LIGHTING CONTACTOR - ELECTRICALLY HELD, WITH POLES AS SHOWN.
- ② BYPASS SWITCH - 2 POSITION, MAINTAINED CONTACTS. BLACK WITH LEGEND PLATE MARKED "TIMER" AND "OVERRIDE ON". PROVIDE MOUNT SWITCH ON FENCE NEAR DOORWAY.
- ③ COURT LIGHTING CONTROL CABINET "CLCC" ON FENCE VIA UNISTRUT, SURFACE MOUNT. PROVIDE BARRIERS OVER ALL TERMINALS.

**OUTSIDE LIGHTING CONTROL DIAGRAM**  
SCALE: NTS

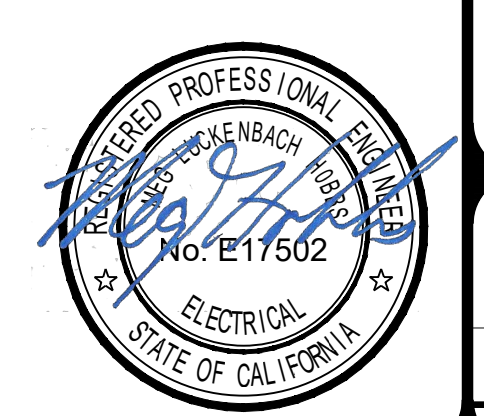
NO.	REVISION	DATE	BY	CHECK	BY	QUANT.	DESIGN	DRAWN	TEE	TEE	TEE	TEE
0												
1												
2												

ORIGINAL SCALE IN INCHES



SIERRA VIEW COUNTRY CLUB  
105 ALTA VISTA AVENUE  
ROSEVILLE, CA 95678  
PH: (916) 783-3731

SIERRA VIEW COUNTRY CLUB  
PICKLEBALL COURTS  
ELECTRICAL DETAILS



C:\Users\anv\AppData\Local\Temp\Asp\Publish\_48832\Electrical\_recover.dwg Dec 20, 2025-06:13 am

PROJECT #24-006 - SIERRA VIEW COUNTRY CLUB